



PROJECT		REF		REV	ITEM CODE	
LOCATION		DATE			PAGE	

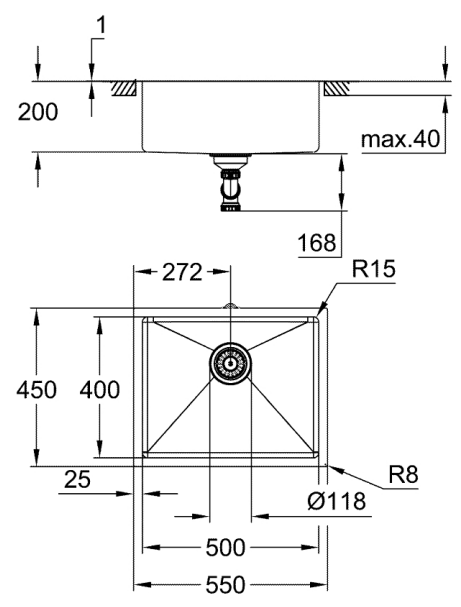
SANITARY WARE SPECIFICATION SHEET

Item Descriptions	GROHE(Geramany) "K700U Undermount" stainless steel undercounter sink in satin finish	Illustration/ Drawing
Dimensions	L500 x W400 x H200 mm (Inner) L550 x 450 x H200 mm (Outer)	 
Model	31574SD1	
Material / Finish	Stainless Steel / Satin Finish	
Colour	SuperSteel	
Manufacturer	Grohe (Germany)	
Source	Acme Sanitary Ware Co. Ltd Mr. Eric Wong/ Mr. Wilson Hung	
Contact Tel/Fax	(852) 2388-7171 / (852) 2710-8012	
E-mail	acme@acmesanitary.com.hk	
Website	www.acmesanitary.com.hk	

- model: K700U 60-S 54.4/44.4 1.0
 - mounting type: undermount, top mount or flush mount
 - material: stainless steel AISI 304 (V2A)
 - material thickness: 1 mm
 - GROHE Long-Life finish
 - finish: satin finish
 - **GROHE Whisper**
 - min. cabinet size: 600 mm
 - dimensions: 550 x 450 mm
 - 1 bowl: 500 x 400 x 200 mm
 - outer radius: R16 (undermount)/R3 (topmount), inner bowl radius: R15
 - **GROHE FastFixation installation system**
 - cut-out (undermount): 502 x 402 mm (R16)
 - cut-out (top mount): 535 x 435 mm
 - cut-out (flush mount): 535 x 435 mm (R3) (top step outer size: -551 x 451 -R8 deep -3.5 mm)
 - drainer: Ø 3.5"/90 mm basket strainer waste
 - accessories included: waste kit, basket strainer waste, mounting set
 - optional push to open excenter (40 986 SD0)
 - amount of fasteners included (flush mount): 8
 - amount of fasteners included (undermount): 8
- 



- 31574SD1
31574GN1
31574DL1
31574AL1



* All information of the above is for reference only. No prior notice is made if any changes.

GROHE STAINLESS STEEL SINKS

INNOVATIVE FEATURES, FINISHES AND MOUNTING TYPES

Customise your kitchen space by choosing the perfect GROHE sink for you. Our K-series range of stainless steel sinks covers every size, configuration and price point, so you're sure to find your perfect fit. The range includes 1, 1.5 or 2 bowl options. Various mounting types from built-in to undermount are available for your individual taste. Make it your very own central kitchen hub with our accessories – perfectly matching our sinks for your ultimate comfort.

We are also confident that you will love the special features on offer, from the noise-reducing GROHE Whisper insulation to the automatic waste that means never plunging your hand into dirty water again. With a sink from GROHE you'll notice the difference, making every time you use your sink less of a chore.



INNOVATIVE FEATURES



GROHE StarLight

All GROHE sinks use stainless steel graded above the industry average, so you can be confident of their quality and durability. Our innovative brushing technique means that the sparkling steel surface is ultra smooth for easier cleaning.



GROHE QuickFix

Install your sink swiftly and easily thanks to the GROHE QuickFix system (kit supplied). With two pre-punched tap holes most of our sinks are easily reversible, giving you the flexibility you need for any design scheme.



GROHE Whisper

Shhh! A special insulation on the underside of the sink means that noise from running water and handling pots and pans is reduced to a minimum.

MOUNTING TYPES



Topmount

Traditional built-in with a vertical 8 mm edge.



Flat-edge

An original edge with an inclined 3 mm high profile, matching an extreme elegance with the ease of installation.



Waste fitting for easy handling

The drain, located at the bottom of the sink, and the drip tray are noteworthy features. The elegant diamond-shaped grooves ensure that the rectangular, flat-bottomed sink drains quickly and without obstruction.



Undermount

Sleek and contemporary, ideal for installation under the worktop.



Flush-mount

The product is sunk 1.5 mm deep recess making it perfectly flush with the worktop. Alternatively, it can be installed on the worktop.



Spacious bowls

Thanks to innovative manufacturing techniques, all GROHE sinks have a depth of at least 17cm, meaning they can handle even your largest pots, pans.